

SOLAR DIFFERENTIAL TEMPERATURE CONTROLLER DDT2

USER MANUAL

Description of the controller

DDT2 is a digital differential thermostat (the controller) for solar water heating and other applications with one relay output and two inputs for temperature sensors.

Technical data

Power supply input: 230 V AC **Output switch:** single pole relay **Maximal current through relay:** 3 A **Switching difference:** from 0.5 to 20.0 °C, step 0.5 °C **Hysteresis:** from 1.0 to 19.0 °C, step 0.5 °C **Measuring range:** from -28.0 to 99.5 °C **Accuracy:** ±0.5 °C **Controller operating environment:** from 5 to 40 °C **Software version:** 1809

Controller parts

The controller consists of the front panel, with alphanumeric liquid crystal display (LCD) and two but-

tons, and the case.

The display on the front panel (in default view) shows both sensors temperatures in degrees Celsius: temperature A, temperature B, and their difference when applicable. It also indicate the current operational status of the running mode and of the relay output (**R:1** – on, **R:0** – off).

The display features a background light that is activated by pressing any key. When background light is active, the left button has SELECT/CONFIG function and the right button has UP/DOWN function. When no button is pressed for approximate 10 seconds, backlight turns off.

The case also houses power supply and screw terminals for connecting wires. For more information about wiring see section [installation](#).

Running modes

The controller can run in one of the four modes: MODE OFF, MODE ON, MODE ONE (differential thermostat) or MODE TWO (thermostat).

In first two modes, output relay is constantly turned on or off, regardless of the temperature readings. In remaining two modes the controller operates by comparing two (or four) values and decides the state of the output relay.

To select running mode or set the hysteresis (made of first, Δ_1 , and second difference, Δ_2), refer to [configuration](#) section.

MODE ONE (differential thermostat)

This mode is commonly used in solar heating and other applications with daily variable temperature of

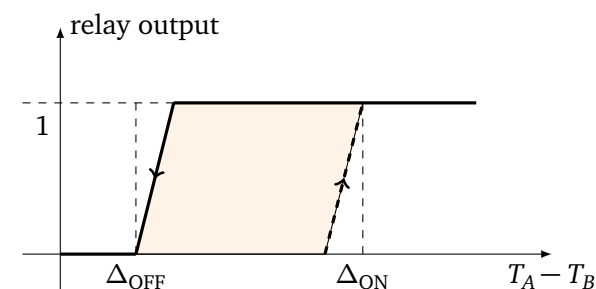
energy source.

The controller running this mode compares four values: source temperature at sensor A (T_A), sink temperature at sensor B (T_B), target point (T_{stop}) temperature and minimal starting (T_{start}) temperature as follows.

The controller will switch relay output on, and will show ▲ (black triangle up) next to relay output status, when all the following three conditions are satisfied:

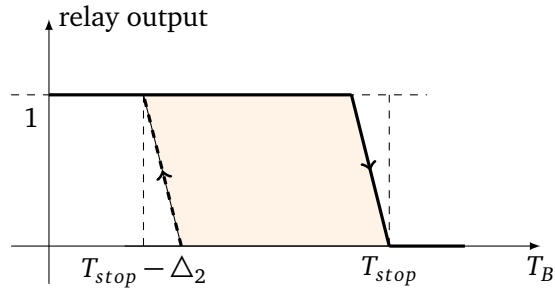
- source temperature T_A is greater or equal minimal starting T_{start} temperature,
- sink temperature T_B is less than target T_{stop} temperature, and
- the difference between source temperature T_A and sink temperature T_B , i.e. $T_A - T_B$, is above or equal to Δ_{ON} degrees.

When the difference $T_A - T_B$ falls below or is equal to Δ_{OFF} degrees (the last criterion is not satisfied), the controller displays ▼ (black triangle down) and switches relay output off.



Furthermore, if temperature T_B reaches target point temperature, i.e. $T_B \geq T_{stop}$, then the controller displays **Tm** and the relay switches off. When temperature T_B falls below T_{stop} for Δ_2 degrees, status of

output relay depends on temperature T_A as described in this paragraph.



When the starting temperature has not been reached, the controller displays a negative value, i.e. the difference $T_{start} - T_A$, that is the difference between source and starting temperature.

Note, that relay response might be delayed due to relay delay protection.

Turn on Δ_{ON} and turn off Δ_{OFF} difference

Values of Δ_{ON} and Δ_{OFF} are derived from Δ_1 and Δ_2 as minimum and maximum. For instance, if $\Delta_1 < \Delta_2$, then $\Delta_{OFF} = \Delta_1$ and $\Delta_{ON} = \Delta_2$. When $\Delta_1 = \Delta_2$, then Δ_1 and Δ_2 are adapted, eg. Δ_1 lowers for 0.5 degrees and Δ_2 increases for 0.5 degrees.

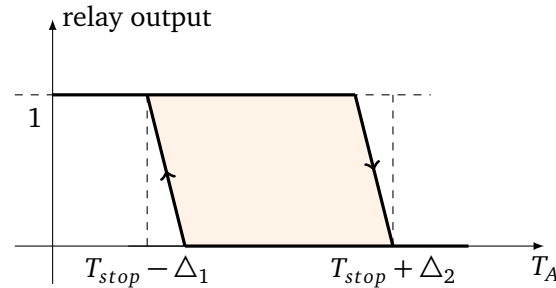
MODE TWO (thermostat)

In this mode, the controller compares two values: temperature at sensor A (T_A) and target point (T_{stop}) temperature as follows.

When the temperature T_A falls below target temperature T_{stop} for Δ_1 degrees, the controller will display \blacktriangledown , negative temperature difference, and will switch relay output on.

When the temperature T_A rises above T_{stop} for Δ_2

degrees, the controller displays \blacktriangle , positive temperature difference, and switches relay output off.



This mode is useful for turning on the heater (for more powerful heater or air conditioner an additional external relay must be used), but it is also suitable for cooling with air conditioner since the relay state could be inverted (in configuration under *invert output* option).

MODE ON and MODE OFF

These two modes are most used for testing connection to the pump and when operation of pump is not desired, e.g. winter time.

Note that MODE OFF does not disconnect power to the pump completely.

Other functions

Warning indicator

When an error occurs: absent sensor, sensor reading error, insufficient flow or overheat protection, the display backlight blinks each second.

Indicator of insufficient flow If the temperature of source increases for additional 2 °C in 120 seconds after turning the relay on when running in MODE ONE the display shows **F**.

Solar panel overheat protection

When the temperature value of 80 °C is exceeded at the source sensor A, the controller displays **P** and switches relay on, until the temperature has dropped for 5 °C. Note, target temperature could be heated over the adjusted T_{stop} value. This function is only active in MODE ONE.

Relay delay protection

When operating in MODE ONE or MODE TWO the delay protection make sure that relay always stays in same state for at least half a minute.

Nighttime cooling

On warmer days or during absence or when there is no consumption of sanitary water, the water in tank can be heated to a higher temperature than the day before after each day. In MODE ONE (differential thermostat) the controller will switch the relay on in order to cool the hot water (at night) through solar collectors.

Running hours counter

The controller counts the seconds of its operation and of the relay output activity. Moreover, it also counts the minutes the relay was on in last two hours (if the controller is already running for two hours). These values are shown in [debug mode](#) and are lost at power loss. Furthermore, the controller also counts full hours of its operation and of its relay output. These values are not lost at power loss.

Configuration

To configure the controller press SELECT/CONFIG button at default view. Depending on selected option, there could be plus (+), minus (-), or arrow sign (\rightarrow) before its name. If a option has numeric type, its value is increased or decreased by UP/DOWN button, depending on sign, otherwise the button iterates be-

tween values. To change the sign and move between options use SELECT/CONFIG button. After the end of configuration options or at backlight shut down the display returns to default view and configuration is saved.

Options: $\Delta 1$ and $\Delta 2$

These two configuration options represent turn on and turn off difference – hysteresis. It is advisable, that values of $\Delta 1$ and $\Delta 2$ differ for at least 2 °C.

Options: Target T and Start T

Target T (T_{stop}) represents desired temperature of water storage tank, and **Start T** (T_{start}) minimum source temperature required to start operating. This setting is useful when the controller is operating with oil or wood furnace and this function is operating only when running in MODE ONE.

Option: Cooling T

This setting determines the temperature T_{cool} to which the pump should be switched on if the conditions are met: the temperature of the wather tank T_B for 2 degrees greater than the desired temperature T_{cool} , i.e. $T_B \geq T_{cool} + 2$, and the source has for Δ_{ON} lower temperature than in the wather tank, i.e. $T_A + \Delta_{ON} \leq T_B$. When the difference $T_B - T_A$ becomes smaller or equal to Δ_{OFF} , the relay turns off. This function only works in the MODE ONE (differential thermostat).

Option: Offset

If the value of sensor is too high or too low, this could be improved by setting sufficient offset.

Option: Invert output

When running in MODE TWO and when desired temperature is higher that current, the controller applies power to the output screw connector. This behaviour is suitable for heating, but in case of cooling, **Invert out** must be set to YES, hence enabling the power

will be applied when desired temperature is lower that current.

Options: Sensors type

By default controller at power on detects the type of sensors used. If it fails these two options could override its detection.

Option: Run on error

This option controls the relay output at error, e.g. missing sensors. By default the output turns on, thus protecting energy source. This safety option be turned off in configuration (setting: –) or changed so that relay output switches off in case of error (setting: NO).

Summary

The summary of available options, with theirs default values in bold, in the following table.

setting	values
$\Delta 1$	from 1,0 to 20,0 °C, 6,0 °C
$\Delta 2$	from 1,0 to 20,0 °C, 2,0 °C
Program	OFF , ON, M1, M2
Target T	from 6,0 to 90,0 °C, 60,0 °C
Start T	from 6,0 to 60,0 °C, 30,0 °C
Cooling T	from 30,0 to 90,0 °C, 60,0 °C
Offset A	from –2,0 to 2,0 °C, 0,0 °C
Offset B	from –2,0 to 2,0 °C, 0,0 °C
Invert output	NO , YES
Sensor A	automatic , DS1820, NTC10k
Sensor B	automatic , DS1820, NTC10k
Run on error	NO, YES , –

All numeric values are adjustable in 0.5 °C steps.

Installation

When used as a controller for water pump, the first (source) sensor is fitted to the outlet pipe of the solar heating panel (usually on the roof), and the second sensor under the insulation on the side of the hot water tank. For any other differential thermostat applications — e.g. turning on a fan to drive warm air from a sunny conservatory into the rest of the house, the first sensor is to be located at the heat source, and the second sensor at the location to be heated. Since the source is warmer than sink, for source sensor high temperature resistant sensor should be used.

The most common way to install the controller is by attaching it on the wall at eye level and its wiring as well. First, open the controller by loosing four screws, and disconnect front display panel by disconnecting ribbon cable. Then unscrew two (or four) screws to remove the circuit board. Attach the case to the wall (with screws) and fill holes with rubber parts. Put circuit board back on.

Cable extensions, up to 10 m length, should be made with cables from 0.25 mm² to 0.75 mm² for sensors, and from 2 × 0.75 mm² to 2 × 1.5 mm² for mains and pump.

All wires must go through four glands at the side (usuall bottom) of the case. Power input (mains AC 230 V) wires are connected to the screw terminal named **POWER**. Water pump (or an additional external relay for more power-demanding devices) is connected directly to the output screw terminal named **PUMP** and it's protected by a fuse. In other words, this screw terminal outputs main voltage. Connect the source temperature sensor – sensor A – to screw terminal **IN A** and sink temperature sensor – sensor B – to **IN B**.

Sensor B when running in MODE TWO is not required.

Analog, two pin, sensors use left two pins (a) and (b), colors are not important.

Digital, three pin, sensors use all three pins, where wire color of sensors is important. Wires of supplied sensors might come in two different color arrangements: green, white and brown or black, yellow and red. Connect as follows: **green** (a), **white** (b) and **brown** wire (+) or **black** (a), **yellow** (b) and **red** wire (+).

Input pins for both terminals are labeled in the picture on the last page. Plus sign is also printed on circuit board.

Connect display unit back (using ribbon cable), close the controller and apply power to the controller.

At first powering on, the controller will load default values and detect type of sensors: digital (DS18B20) or analog (NTC10k) and start running mode: MODE OFF (manual off).

Troubleshooting

At the default view, values of the two temperature sensors are displayed, or a question mark (?), when sensor is missing, or an x (X), when sensor wires are in short circuit, or a dash (-) in case of sensor error reading. Moreover, the controller will display E when a running mode is unable to access sensor reading and making a decisions. In this case output relay status is defined by configuration: "Run on error".

If sensor is present, but error persists, check cable and joints. In case of automatic sensor detection, sensor must be present at powering the controller on. This, automatic sensor detection, could be turned off in the configuration. Then make sure you selected

right option: DS1820 for digital three pin sensor and NTC10k for analog two pin sensor.

Debugging

The controller has a debug mode build-in that could be accessed from the default view by long-pressing UP/DOWN button. To display next value – move between displays – press the same button again.

The following values are shown (in this sequence): running hours counters, input sensor status, ADC values, and output status, software revision and built date.

Warning

When working on the controller and the connected consumers (heating/cooling devices) all poles of the mains voltage must be disconnected first!

Do not expose a digital temperature probe with PVC wires to temperatures higher than 80 °C and longterm higher than 70 °C. Do not expose an analog temperature probe with silicone wires to temperatures higher than 150 °C.

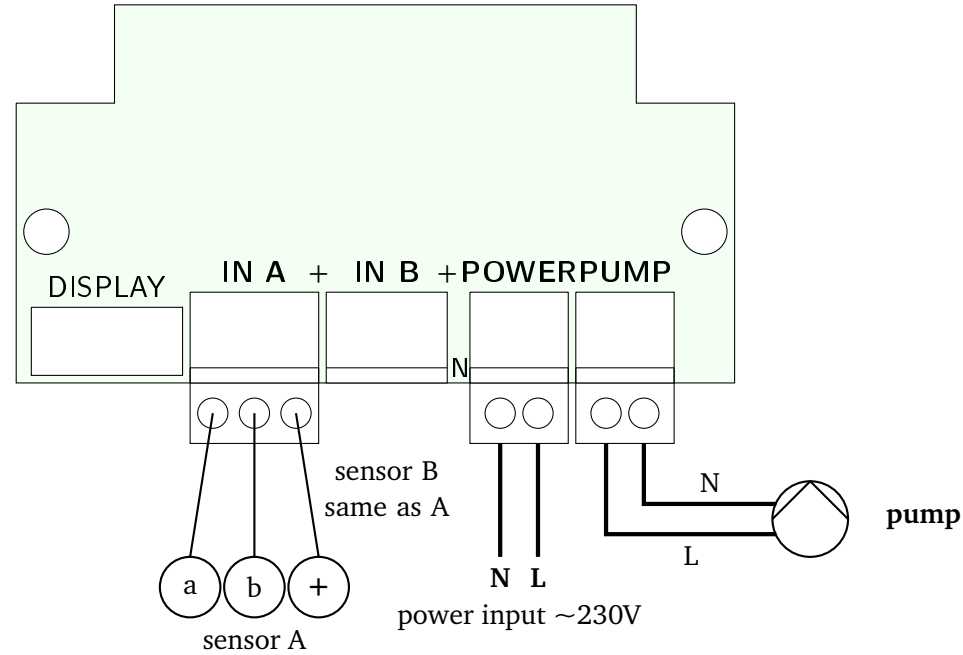
Limited liability

We take no liability for damage that occurred at device installation, during power outage, or due to misconfiguration.

Solar systems should be equipped with all necessary safety elements, e.g. pressure relief valve, and filled with antifreeze, e.g. glycol, or emptied when heat transfer liquid inside the system might freeze to prevent damages.

Wiring diagram

In the figure below is a wiring diagram with marked connection points for input A (IN A - sensor A, collector), input B (IN B - sensor B, water storage tank), power supply (POWER) and pump (PUMP) . The terminal points for the sensor B (IN B) are identical to the sensor connection points A (IN A). The connection and the color codes of the sensor are listed in the table.



DS18B20 (3 pin)

pin	color	description
Ⓐ	green or black	ground
Ⓑ	white or yellow	data
⊕	brown or red	VCC

NTC10k (2 pin)

pin	color	description
Ⓐ	brown or red	pole 1
Ⓑ	white or blue	pole 2